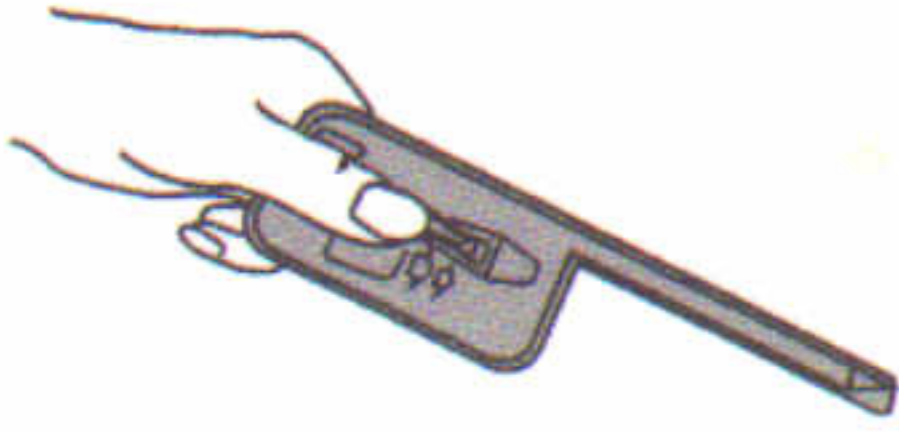


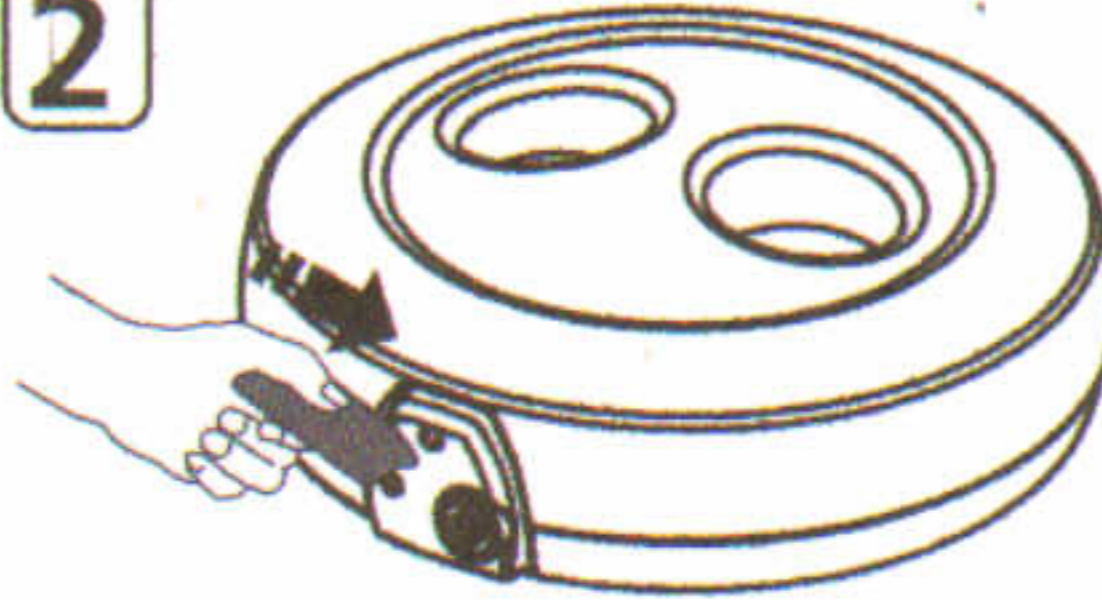
C THRU™ RECYCLING BIN

Operating and Assembly Instructions

A BIN-LINER INSTALLATION

1


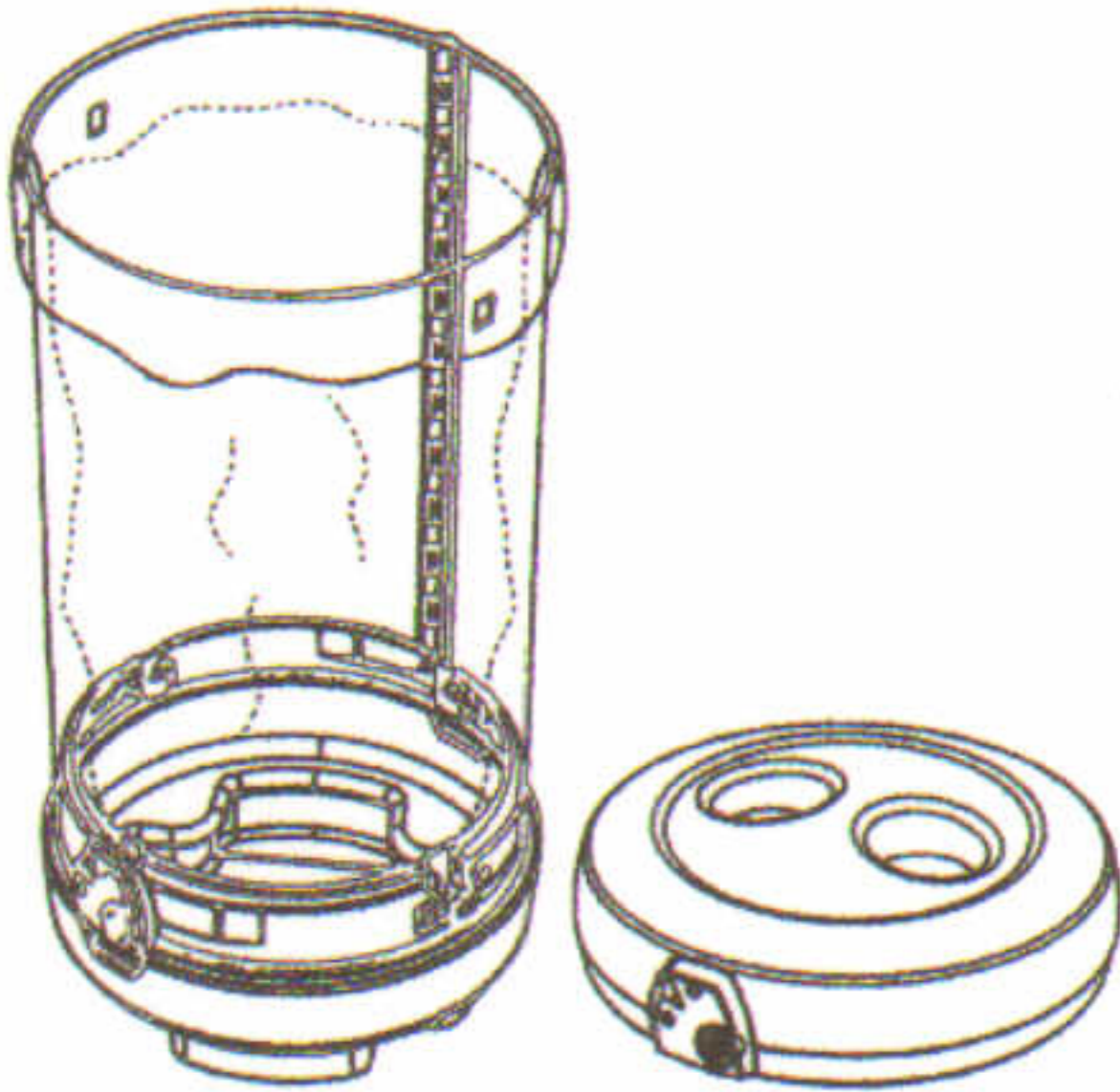
Ensure the illustration on the key is uppermost.

2


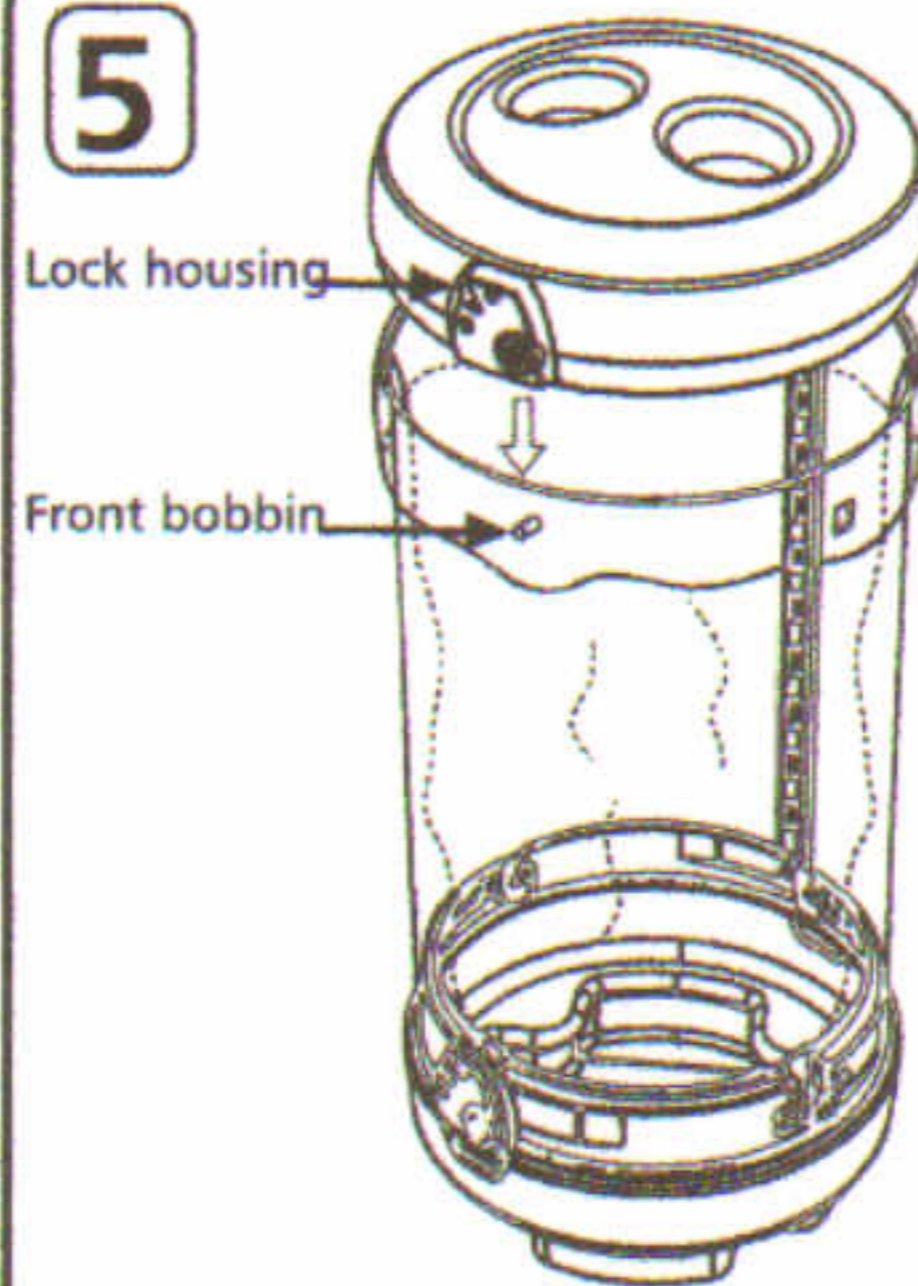
Push the key all the way into the lock. (Do not turn the key.) This will automatically release the locking mechanism.

3


With the key still in position, turn hood anti-clockwise, then lift hood off. Remove the key.

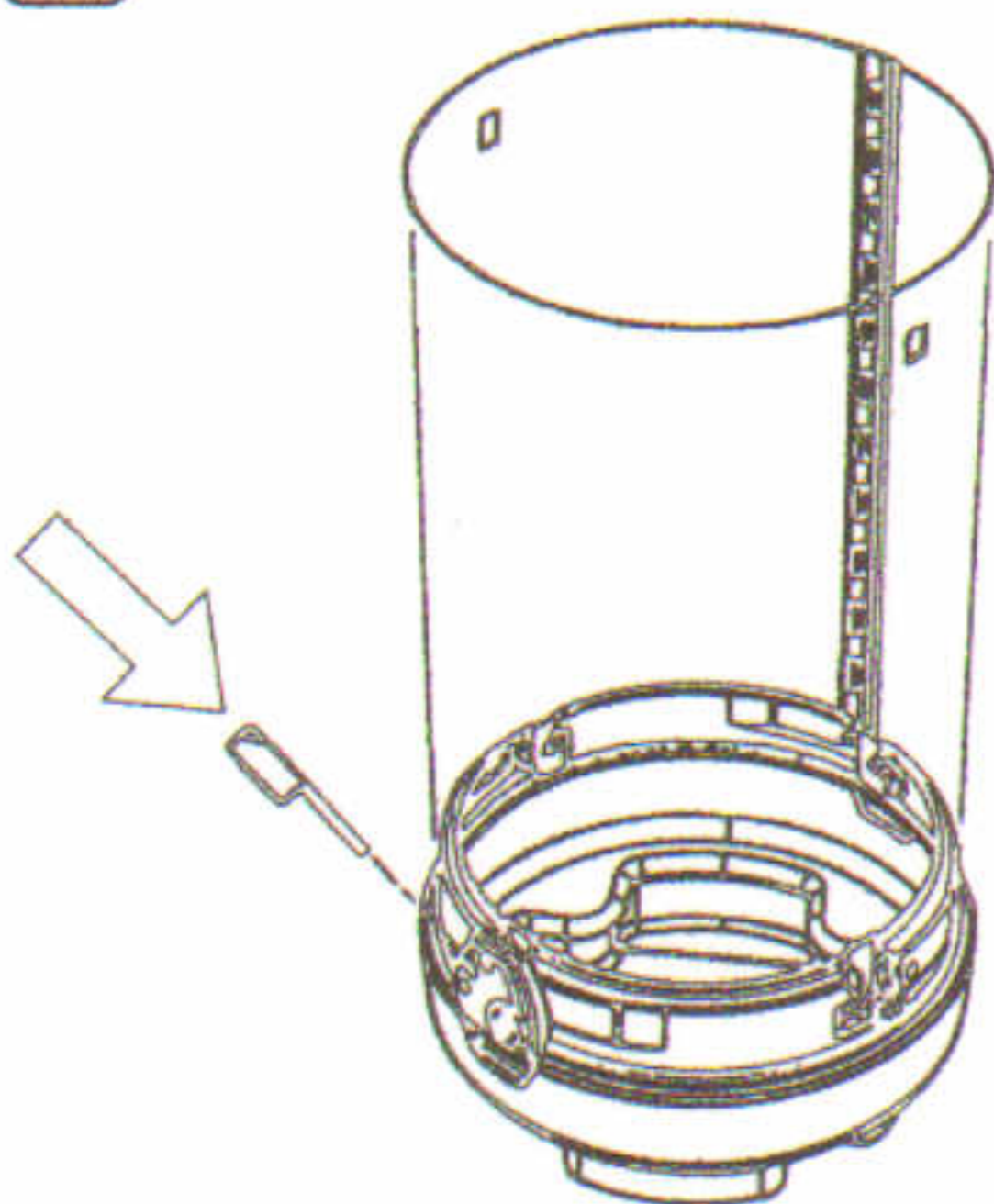
4


Place a clear sack into the body and hook over the rim with approximately 100mm overhang.

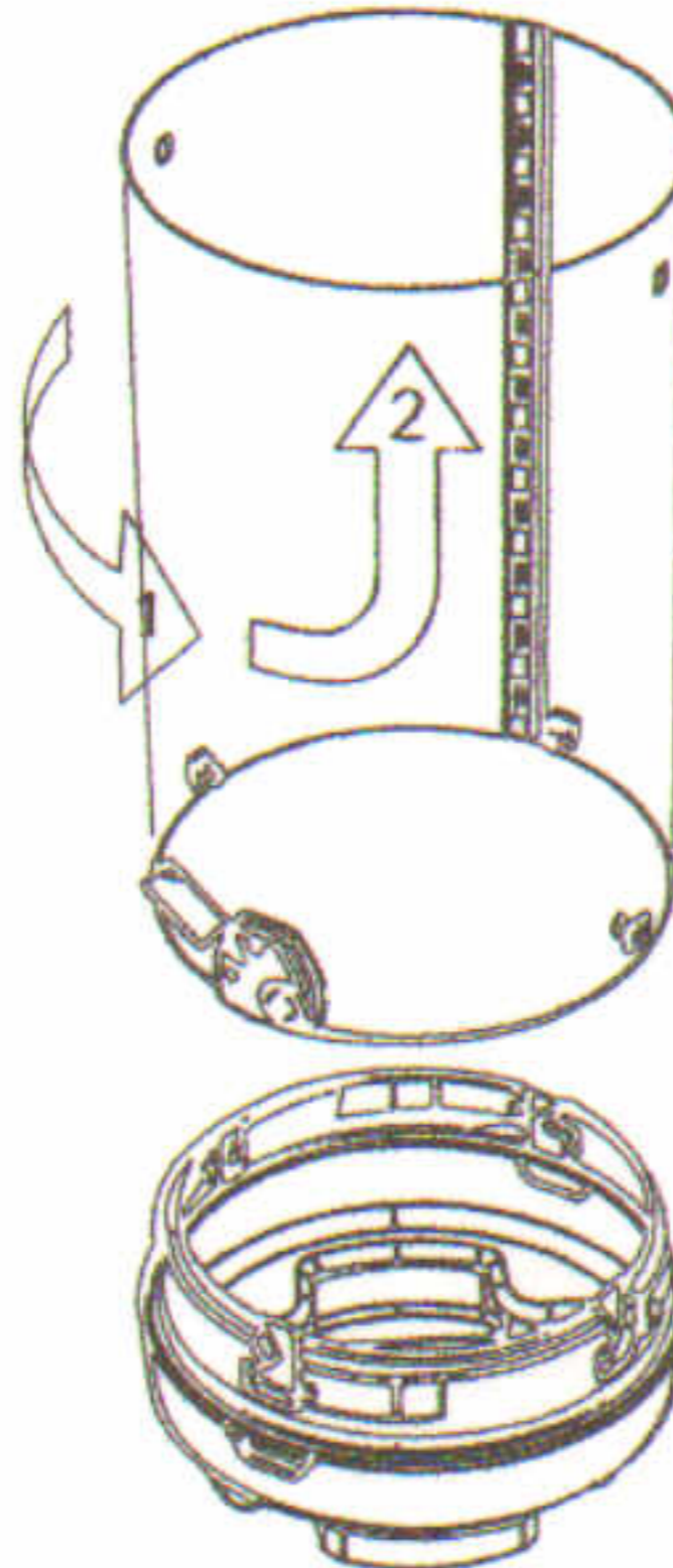
5


Offer the hood onto the body and align the lock housing with the front bobbin by turning the hood. Push the hood firmly downwards to automatically lock the bin.

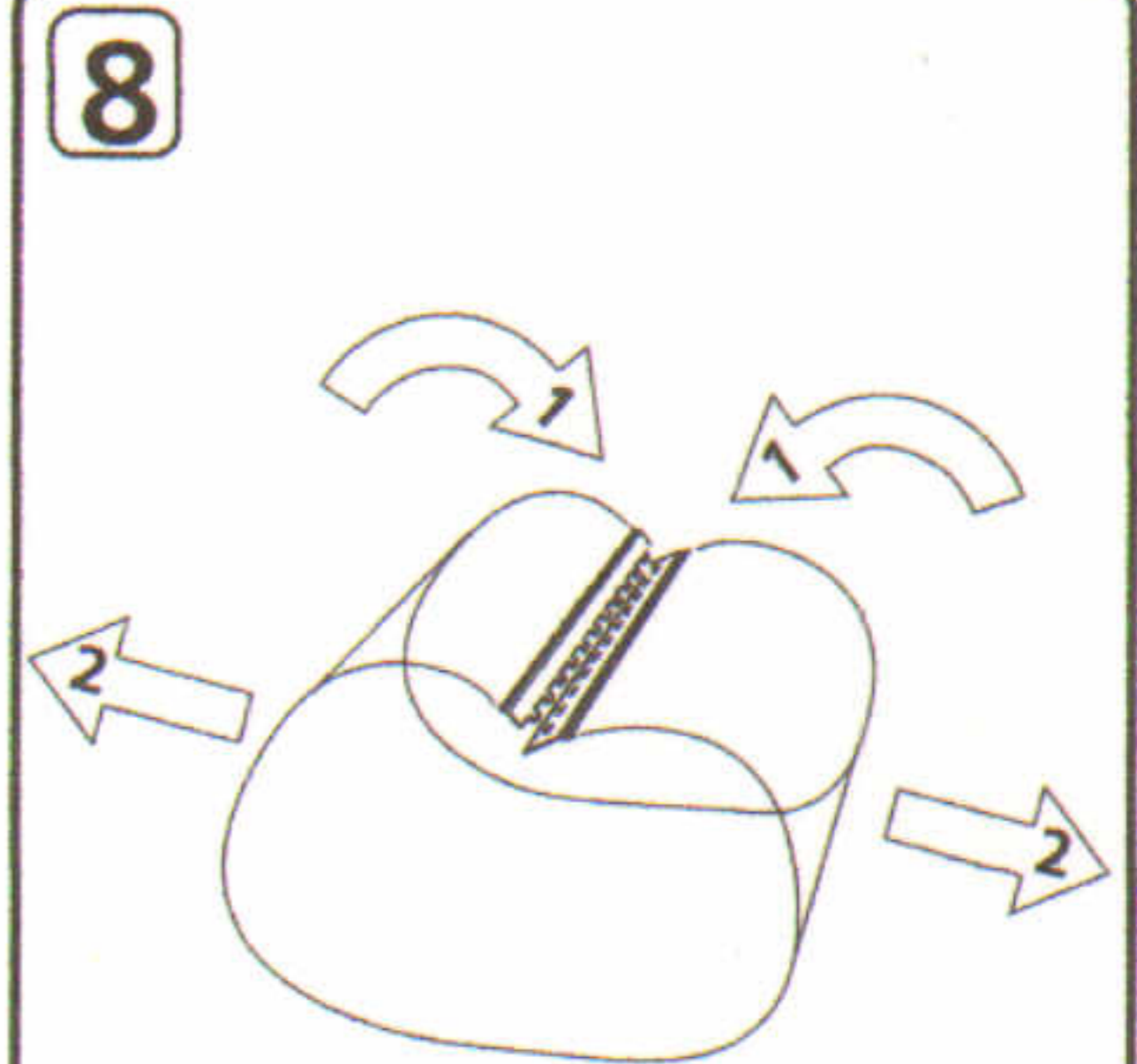
B BIN DISASSEMBLY

6


Remove hood as (1) above, remove sack if present. Insert the plastic key into the lock.

7


Hold the body with both hands, twist anti-clockwise and lift away from the plinth. Remove the key and keep safely.

8


To disassemble the body place on a well protected and soft surface, joint uppermost. Push down either side of the interlock to disconnect the tabs, and allow the sheet to spring flat.

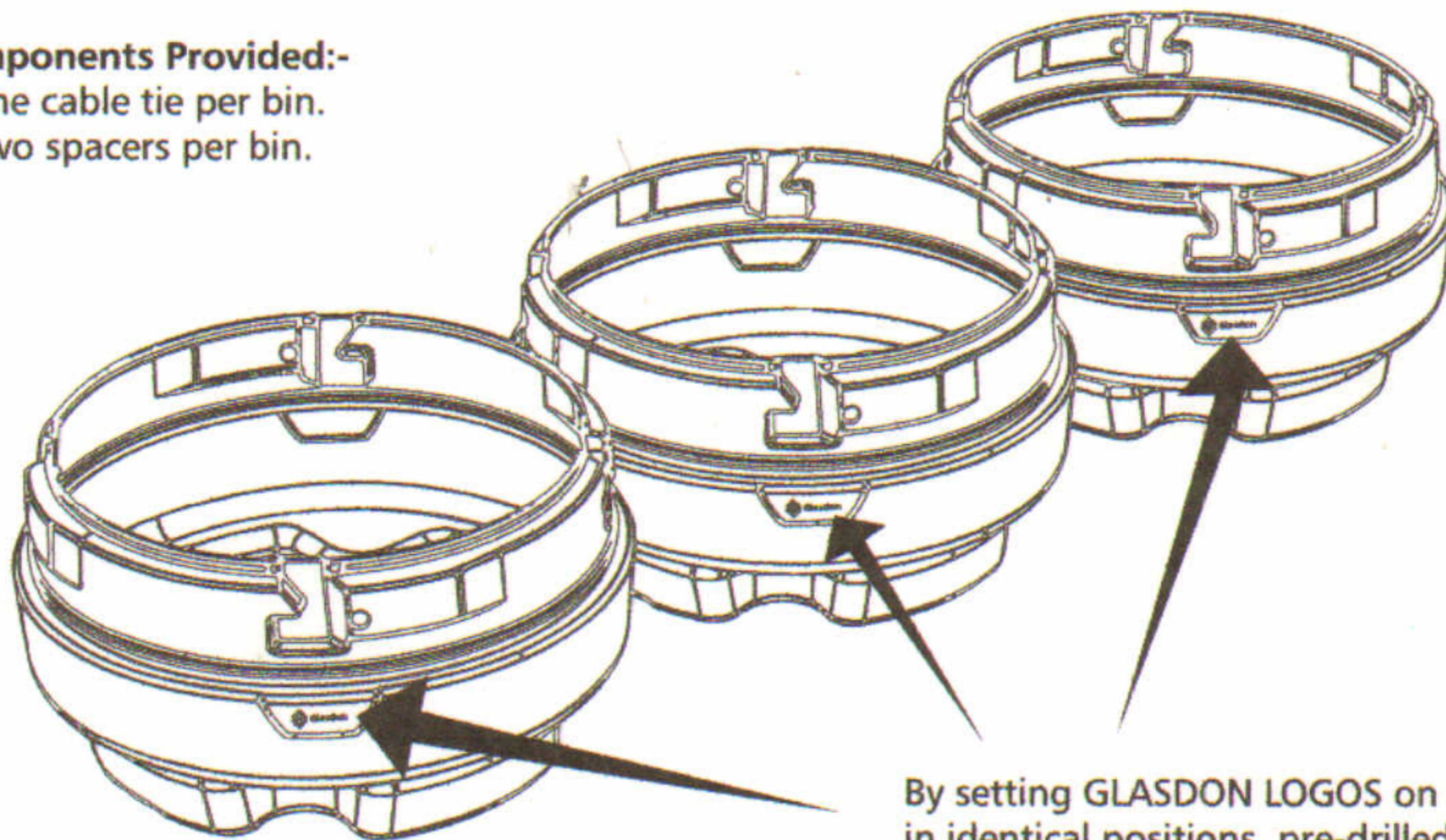
SAFETY NOTE: We would recommend wearing safety gloves as the edges of the interlocking mechanism may be sharp.

C LINKING CLUSTER ASSEMBLY

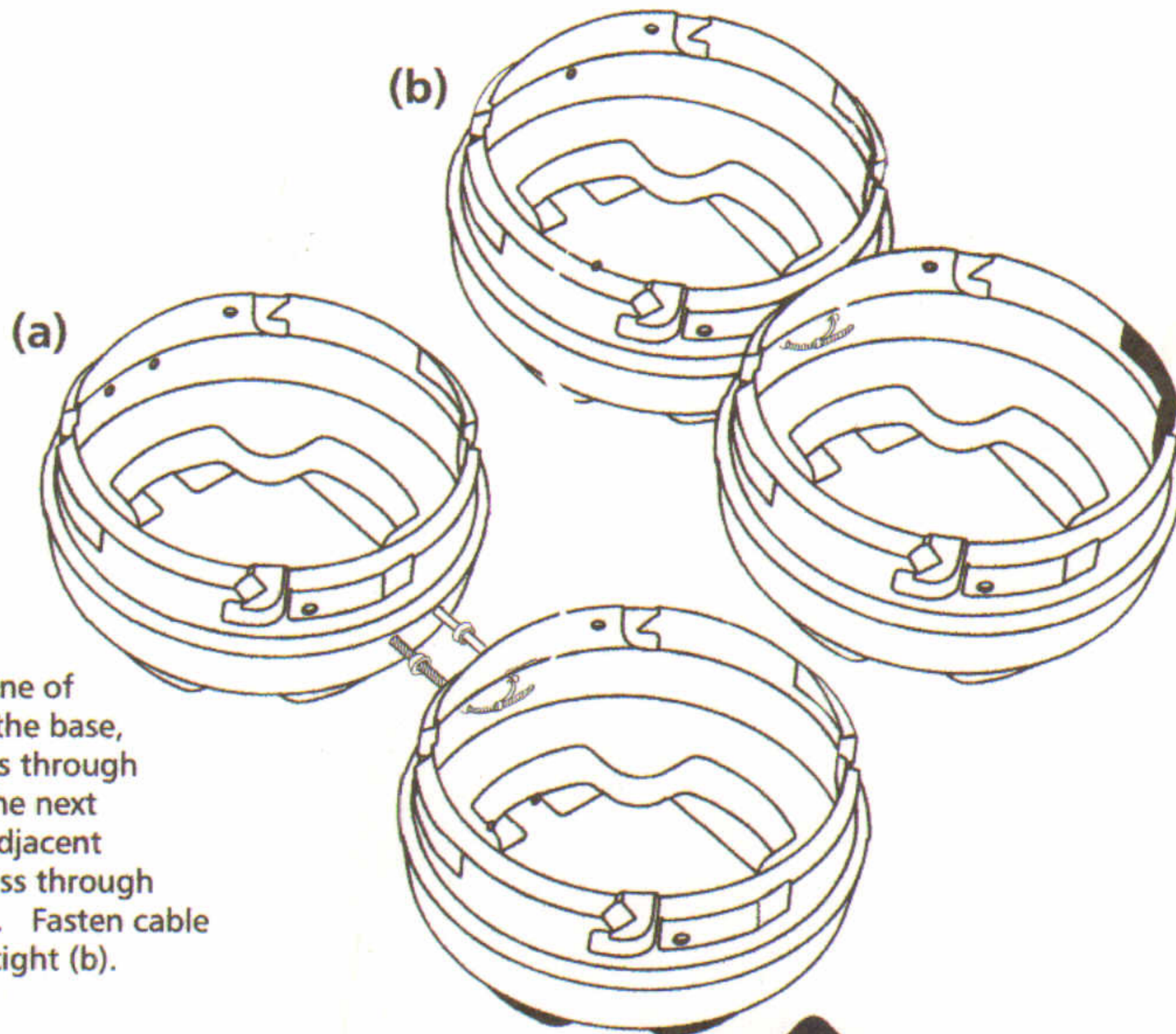
Firstly remove 'C Thru bin body' following figures 4 & 5 overleaf.

Components Provided:-


1. one cable tie per bin.
2. Two spacers per bin.



By setting GLASDON LOGOS on base in identical positions, pre-drilled connection holes will be aligned.



Pass cable tie through one of the holes in the side of the base, slide on first spacer, pass through corresponding hole in the next base. Return through adjacent hole, add spacer and pass through hole in the first base (a). Fasten cable tie and pull reasonably tight (b).

 **Glasdon**® AND C THRU™ ARE TRADEMARKS OR REGISTERED TRADEMARKS OF GLASDON GROUP OR ITS SUBSIDIARIES IN THE U.K. AND OTHER COUNTRIES

- A planned maintenance schedule of regular inspection is recommended, replacing components as necessary.
- Replacement components are available direct from GLASDON.
- GLASDON cannot be held responsible for claims arising from incorrect installation, unauthorised modifications or misuse of the product.

Issue 5 March 2010 Stock no. C000/0237

© Copyright March 2010. Glasdon reserve the right to alter specification without prior notice.



Glasdon®

Glasdon U.K. Limited

Preston New Road
BLACKPOOL
Lancashire
FY4 4UL

Tel: (01253) 600410

Fax: (01253) 792558

e-mail: sales@glasdon-uk.co.uk

web: www.glasdon.com